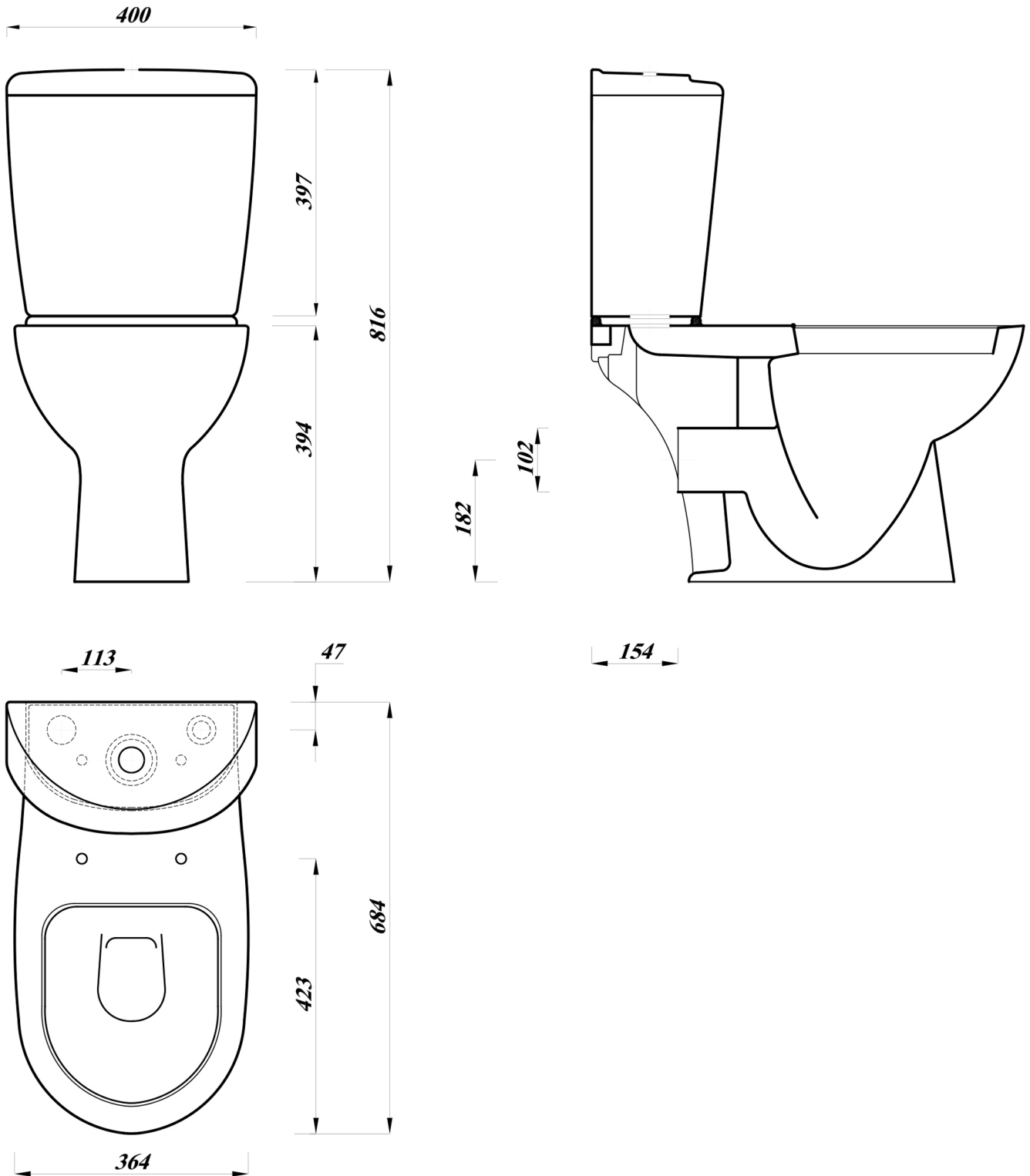


**Disclaimer:**

- Fixture dimensions are nominal and conform to tolerances as per European Norms.
- This drawing may not be copied or passed on to a third party without our permission.
- Lecico accepts no liability whatsoever for this data and technical drawings .Other parties use them at their own risk.
- The dimensions indicated are not binding ,Lecico reserves the right to make product / drawings changes without prior notice.



**Disclaimer:**

- Fixture dimensions are nominal and conform to tolerances as per European Norms.
- This drawing may not be copied or passed on to a third party without our permission.
- Lecico accepts no liability whatsoever for this data and technical drawings .Other parties use them at their own risk.
- The dimensions indicated are not binding ,Lecico reserves the right to make product / drawings changes without prior notice.