
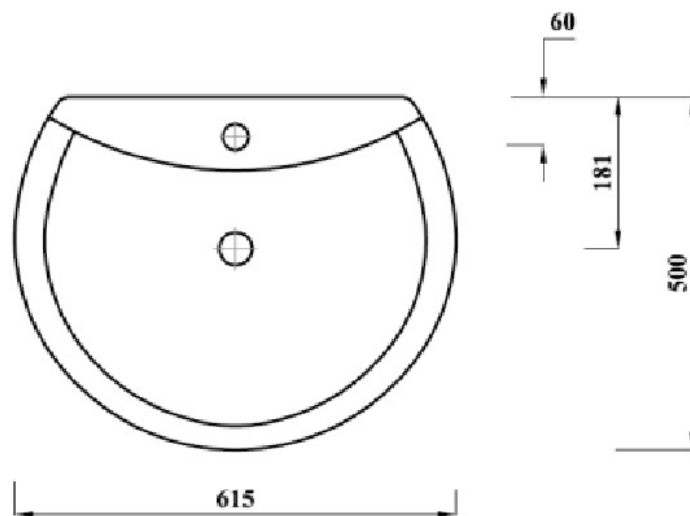
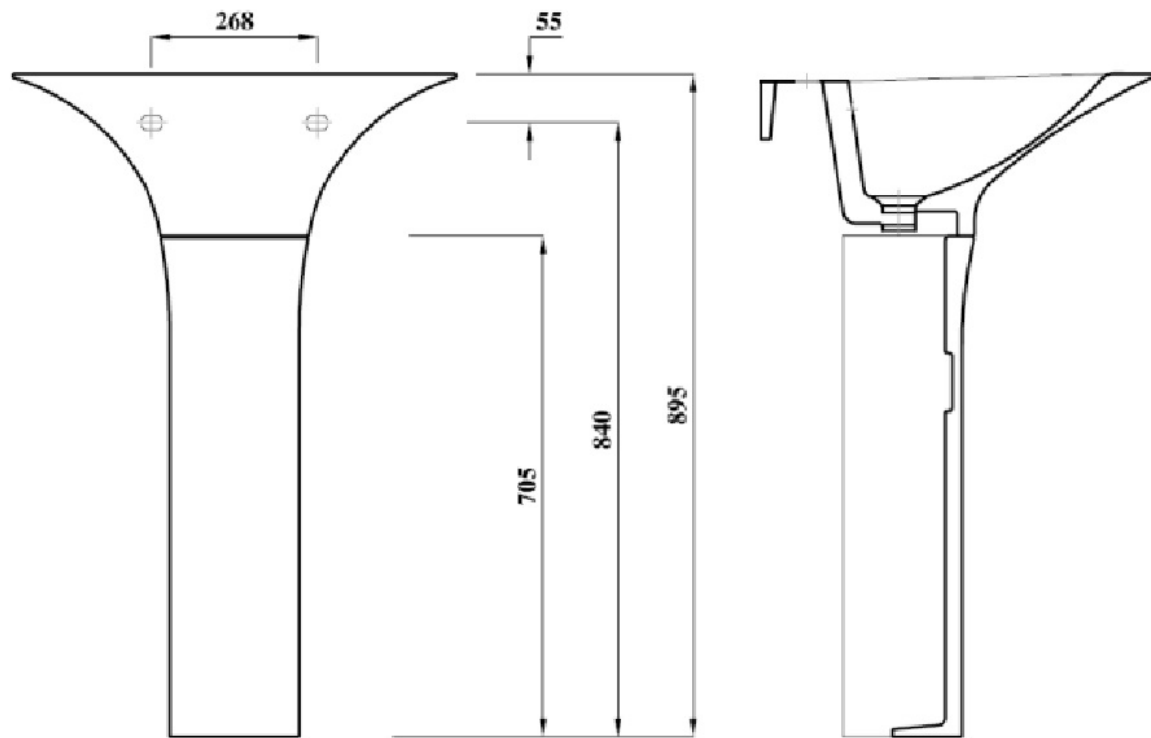


Disclaimer:


- Fixture dimensions are nominal and conform to tolerances as per European Norms.
- This drawing may not be copied or passed on to a third party without our permission.
- Lecico accepts no liability whatsoever for this data and technical drawings .Other parties use them at their own risk.
- The dimensions indicated are not binding ,Lecico reserves the right to make product / drawings changes without prior notice.

Revision No .	Reason .	Date Of Rev .
0	Initial Issue .	1/2/2014
 Kharine WC P Beam 4L With Tank (Provisional Drawing)		Scale : 1:10 Drawing No.:000992
		Drawn By : Moh. Refaat



Disclaimer:

- Fixture dimensions are nominal and conform to tolerances as per European Norms.
- This drawing may not be copied or passed on to a third party without our permission.
- Lecico accepts no liability whatsoever for this data and technical drawings .Other parties use them at their own risk.
- The dimensions indicated are not binding ,Lecico reserves the right to make product / drawings changes without prior notice.

Revision No .	Reason .	Date Of Rev .
0	Initial Issue .	1/8/2009
1	Some Dimensions Have Been Modified.	8/3/2012
	Kharine WB With Kharine Ped (Provisional Drawing)	Scale : 1:10
		Drawing No.:000388