
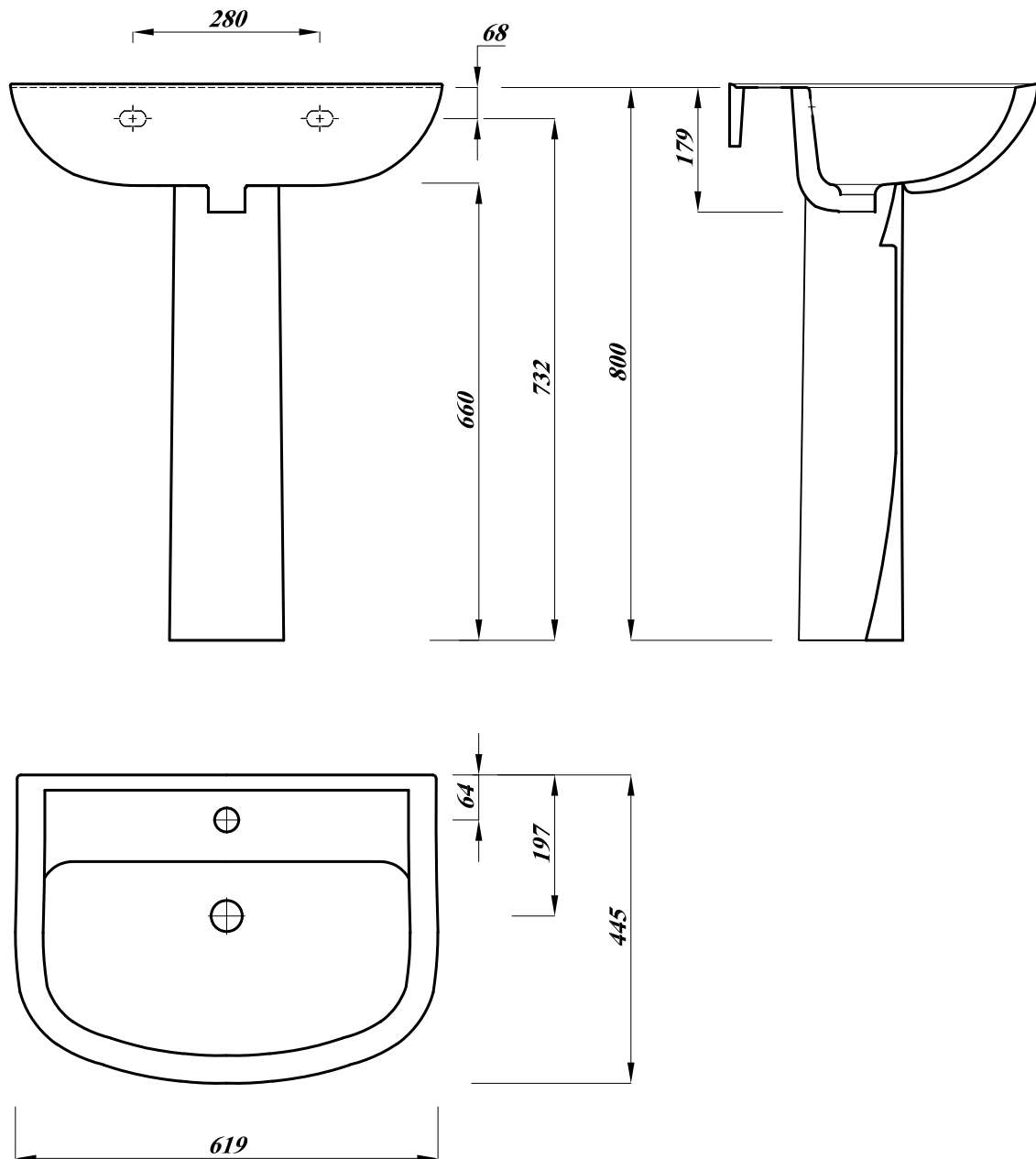


Disclaimer:


- Fixture dimensions are nominal and conform to tolerances as per European Norms.
- This drawing may not be copied or passed on to a third party without our permission.
- Lecico accepts no liability whatsoever for this data and technical drawings. Other parties use them at their own risk.
- The dimensions indicated are not binding, Lecico reserves the right to make product / drawings changes without prior notice.

Revision No .	Reason .	Date Of Rev .
0	Initial Issue .	23/6/2012
1	The Lid Width & The Shape Have Been Changed .	24/12/2012
2	The Name Has Been Changed From Eco To Atlas Geo	30/5/2013
3	Dim A,t & q1 Have Been Modified.	24/7/2013
 Atlas Geo WC P (2 Inlet) (Provisional Drawing)		Scale : 1:10 Drawing No.:000675



Disclaimer:

- Fixture dimensions are nominal and conform to tolerances as per European Norms.
- This drawing may not be copied or passed on to a third party without our permission.
- Lecico accepts no liability whatsoever for this data and technical drawings .Other parties use them at their own risk.
- The dimensions indicated are not binding ,Lecico reserves the right to make product / drawings changes without prior notice.

Revision No .	Reason .	Date Of Rev .
0	Initial Issue .	24/6/2012
1	Some Dimensions Have Been Modified.	3/10/2012
2	Some Dimensions Have Been Modified.	30/5/2013
3	The Name Has Been Changed From Eco To Atlas Geo.	4/9/2013
4	Bracket position has been modified from 45mm to 62mm.	18/9/2018
5	Some Dimensions to be in line with production results.	
 Atlas Geo WB 60cm With Ped (Provisional Drawing)		Scale : 1:10 Drawing No.:000685